

MICHELIN® AGRIBIB® 2 TIRE

THE AFFORDABLE PREMIUM PERFORMER



**ALL AROUND PERFORMING RADIAL TIRE,
NOW OFFERS MORE**

VERSATILITY

OPTIMAL TRACTION

LONG SERVICE LIFE

HIGH CARRYING CAPACITY



Tractors (4x4)



Tractors (FWA)



Tractors (2WD)



Combines



Sprayers



Tow-Behind Sprayers



MICHELIN

MICHELIN® AGRIBIB® 2 TIRE

THE AFFORDABLE PREMIUM PERFORMER

New optimized tread pattern

- Lug angle 45° retains AGRIBIB'S outstanding traction³
- Enhanced hinge design aids self cleaning

Deeper Tread

- Up to +8% deeper² tread than leading competitors R1W offer
- Up to +10% deeper tread than the market standard R1W offer according to the Tire & Rim Association¹

Damage resistant rubber

- Proven radial casing endurance



Angled sculpture to deflect stubble

- Designed to provide maximum strength and deflection against stalk strikes
- 5/32" extra-rubber along center rib

Increased the load index^{4*}

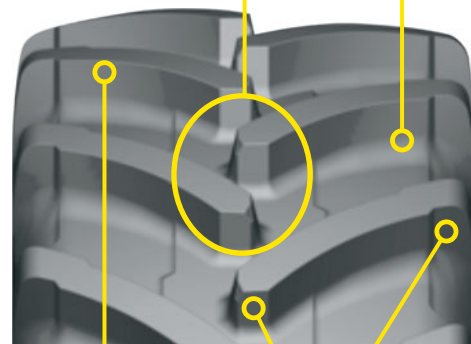
- To match the increasing HP and weight of tractors

* Comparison Chart

Tire	Agribib	Agribib 2
420/85R38	144A8/144B	149A8/149B
520/85R38	155A8/155B	160A8/160B
520/85R46	158A8/155B	164A8/164B

5/32nd Extra rubber between lugs for a long tire life against stubble aggression

Overlapping lugs add protection from stalks



Lug angle designed to protect against stubble

Damage resistant rubber

Size	I.S.O. Index	Product Code	Equivalent Size	Max Inflation Pressure (psi)	Max Load	Section Width (in)	Overall Dia. (in)	Rolling Circum. (in)	RCI	Tread Depth (32nds)
280/85R28	123A8/120D	40217	-	41	5130	11	47	140.3	-	50
380/85R30	140A8/140B	72163	-	41	8268	16	56	166.1	41	59
420/90R30	147A8/147B	71308	-	41	10170	16	60	177.7	42	63
320/85R34	133A8/133B	32034	-	41	6810	12	56	167	41	55
380/85R34	142A8/142B	84143	-	41	8760	15	59	177.9	42	46
420/85R34	147A8/147B	16801	-	41	10170	18	62	186.2	43	61
380/80R38	142A8/139D	59112	-	41	8745	15	63	187.2	43	58
520/85R38	160A8/160B	05163	-	41	14880	21	73	134.1	46	69
480/80R42	156A8/156B	05745	-	41	13230	19	72	108.7	46	66
520/85R42	162A8/162B	13435	-	41	15710	21	77	228.7	47	69
420/80R46	151A8/151B	13581	-	41	13650	16	73	217.5	46	66
480/80R46	158A8/158B	00639	-	41	13650	19	76	228.5	47	66
520/85R46	164A8/164B	17697	-	41	16130	20	81	240.6	48	69
480/80R50	159A8/159B	41183	-	41	14470	18	80	240.8	48	60
380/90R54	152A8/152B	28485	-	41	11740	15	80	241.3	48	63

(1) R1W lug depth as defined by the Tire & Rim Association standard.

(2) Michelin AGRIBIB2 480/80R50 vs leading competitors published depths (Firestone, Goodyear, Mitas).

(3) Source: Analytical test performed on the test tracks at the MICHELIN test and research centre (Ladoux) France. Adhesion test using Michelin Agribib 480/80R50

(4) Level of increases varies by size. Comparisons are based on the current Agribib product line.



MichelinAG.com

