

**MICHELIN®
ENERGY GUARD**

**AERODYNAMIC FULL
TRAILER KIT**



**PROVEN
FUEL EFFICIENCY**

7.4%

FUEL SAVINGS AT 65 MPH*



**ESTIMATED FUEL
SAVINGS**

\$3,000

\$3.00/GAL 100K TRAILER MILES



**ESTIMATED
GALLONS SAVED**

1,000 GALLONS

PER 100K MILES



DURABILITY

FULL FLEXIBILITY

MINIMAL TO NO MAINTENANCE



**DRIVER
SATISFACTION**

HASSLE-FREE

NO DRIVER INTERACTION REQUIRED

THE PROOF IS AT THE PUMP



MICHELIN® Aerodynamic Solutions—an impressive 7.4% fuel savings at 65 mph.*

*Estimated fuel savings based on commissioned, third-party simulation (CFD) and SAE J1321 track testing when compared to trailer with no aerodynamic devices.

For more information, visit www.michelintruck.com,
call Michelin Consumer Care at 1-888-622-2306 or email michelin.energyguard@michelin.com

Michelin North America Inc., One Parkway South, Greenville, SC 29615
Michelin North America (Canada) Inc., 2500 Daniel Johnson Blvd., Suite 500, Quebec H7T 2P6
© 2019 Michelin North America, Inc. The Michelin Man is a registered trademark owned by Michelin North America, Inc. All rights reserved. An Equal Opportunity Employer (06/19)
© 2019 MNA(C). All rights reserved. (06/19)

**THE NEW MICHELIN®
ENERGY GUARD
AERODYNAMIC SOLUTION**



**MAXIMIZE FUEL SAVINGS,
MINIMIZE MAINTENANCE EXPENSES.***

*7.4% fuel savings when driving 65 mph. Expected fuel savings based on commissioned, third-party simulation (CFD) and SAE J1321 track testing when compared to trailer with no aerodynamic devices.

www.michelintruck.com



MICHELIN® ENERGY GUARD KIT

5 WAYS TO CONTROL COSTS BY CONTROLLING AIRFLOW

Michelin is focused on creating new ways to lower your cost per mile and your total cost of ownership. And now, we're proud to introduce our newest innovation, MICHELIN® Aerodynamic Solutions—featuring a durable, fully integrated Energy Guard kit that controls the vehicle's airflow and delivers significant fuel savings without raising maintenance costs.

PROVEN FUEL SAVINGS – Average of \$3,000 annual fuel savings in testing*

INTEGRATED SOLUTION – All four components are designed to work seamlessly together

HASSLE-FREE USE – Requires no driver interaction at all for worry-free operation

FLEXIBLE, DURABLE TECHNOLOGY – Minimal to no maintenance or repairs once installed

*\$3.00/Gal 100k trailer miles

1 RESILIENT TRAILER SKIRT

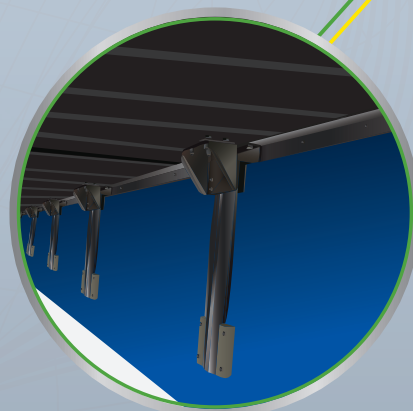
Advanced technology allows brackets to flex and give for better control of airflow, while also remaining incredibly tough to bend around objects and bounce right back into place.

- Rigid, impact-resistant design
- Full flexibility both inward and outward
- Durable, fiberglass-reinforced polymer panel



2 PATENT-PENDING BRACKET AND SLIDER DESIGN

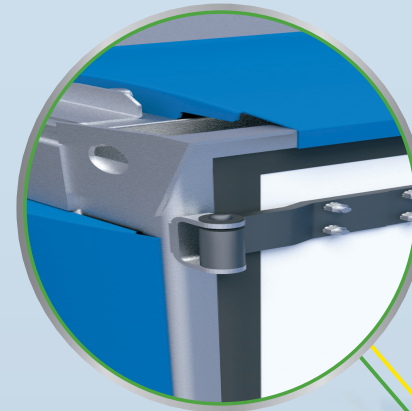
Sliding brackets reduce load on skirt panels to take full advantage of tough skirt materials.



3 DRAG-REDUCING TRAILER END FAIRINGS

Designed for the top and side of the trailer to accelerate and then turn airflow around the back of the trailer, reducing drag even more.

- Patent-pending with unique profile
- Does not require cutouts for hinges
- No overhang to reduce chance of damage



4 INNOVATIVE WAKE REDUCER

A Michelin innovation that works much like a spoiler, increasing the pressure on the back of the trailer.

- Patent-pending, rear-facing spoiler
- Profiled to allow for full door opening
- Trips downward-flowing air to reduce primary recirculation zone in trailer wake



5 AERODYNAMIC MUD FLAPS

Designed to reduce vehicle drag and road spray.

- Patent-pending, angled and progressive louvers
- Aerodynamic, louvered, cross-section profile
- Easy-to-mount hole pattern with patent-pending wings

