

MICHELIN XDR

An E4R tyre for large dump trucks delivering exceptional longevity

Improved life

Improved productivity

Excellent traction in transverse and longitudinal directions



MICHELIN XDR

An E4R tyre for large dump trucks delivering exceptional longevity

SIZES	TREAD DEPTH	
	mm	32 nd inch
30.00 R 51 TL **	83	104.6
36.00 R 51 TL **	96	120.9
50/80 R 57 TL ** (2)	96	118.4
50/90 R 57 TL ** (2)	107	135
59/80 R 63 TL ** (1) (3)	116	146.1

(1) in XDR S TL **



➤ IMPROVED LIFE

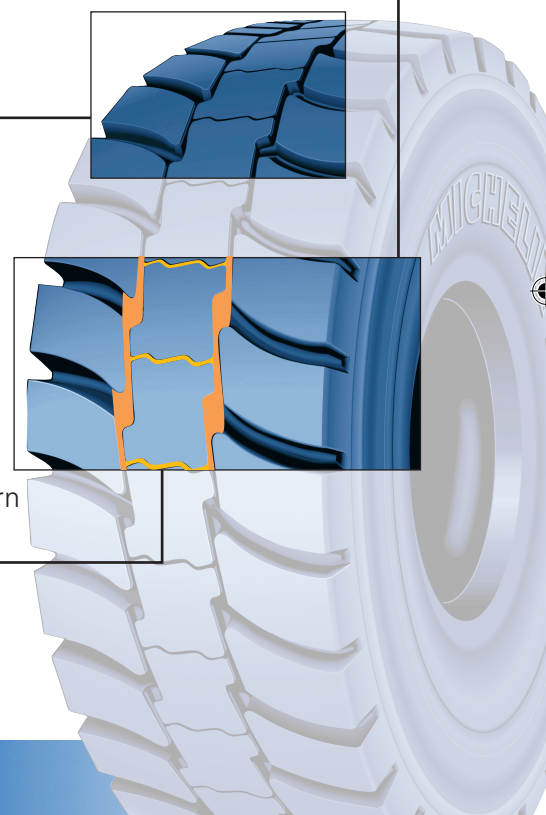
- Substantial tread with a revolutionary design
 - Independent tread pattern blocks
 - Reduced heat generation in the tread and crown thanks to innovative materials and processes
- Reduction in tread wear rate
 - Innovative tread pattern design
 - Better distribution of the stresses in the crown area when in contact with the ground

➤ IMPROVED PRODUCTIVITY

- Excellent damage protection in severe conditions of use
 - Square shoulders
 - Massive, robust tread band
- More stability, tractive capacity and acceleration

➤ EXCELLENT TRACTION IN TRANSVERSE AND LONGITUDINAL DIRECTIONS

- Because of the circumferential grooves in the pattern
- Due to the transverse edges of the pattern in the centre of the tread



REPAIRABILITY AND RETREADABILITY MAXIMIZED THANKS TO THE EXTREME RELIABILITY OF THE CASING (4)

(2) provided that 57" tyres passed successfully a specific detailed inspection NDT (Non Destructive Testing). For further information on these controls and checks, to consult your usual Michelin representative.
 (3) MICHELIN RECOMMENDATION : no retreadable tyre
 (4) provided that the worn tyre meets criteria of retreading and/or repair

BENEFITS OF THE MICHELIN® RADIAL TECHNIQUE

- longer tyre life
- better traction on all types of surface
- lower fuel consumption
- improved comfort
- increased resistance to punctures / flats
- increased heat resistance

