



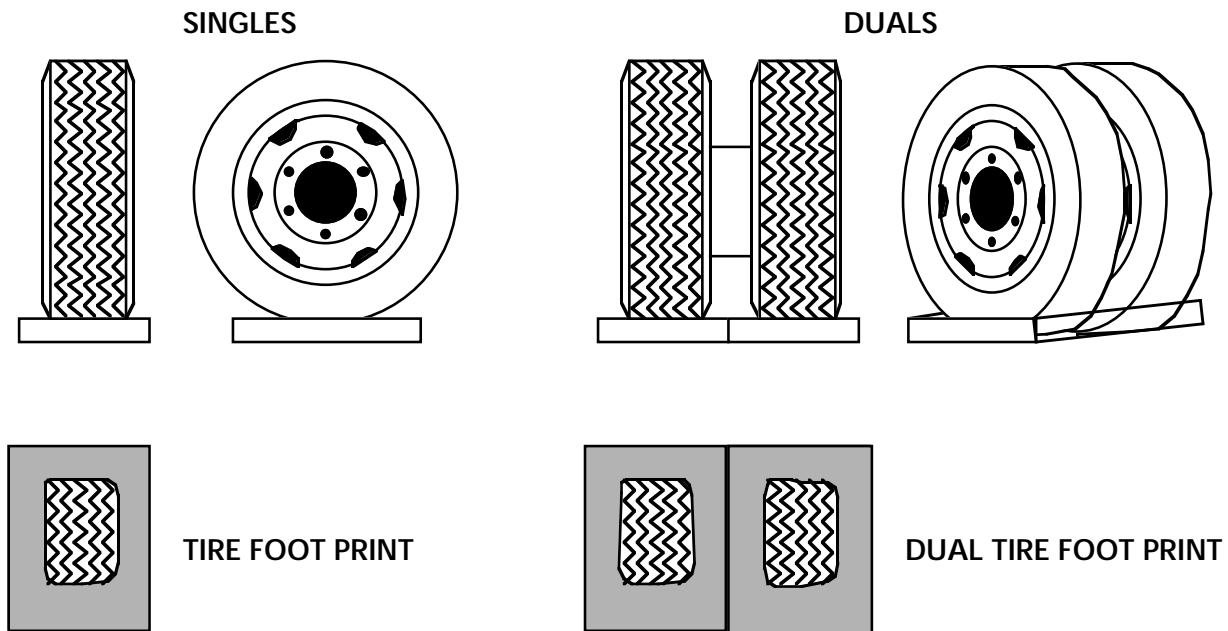
February 29, 2000

THE USE OF BLOCKS TO LEVEL MOTOR HOMES/RV'S EQUIPPED WITH RADIAL TIRES

Extreme caution must be taken to ensure that the tires are fully supported when using blocks to level motor homes and/or RV's. The load on the tire should be evenly distributed on the block and in the case of duals, evenly distributed on blocks for both tires. If not properly done, the steel cables in the sidewall of the tires may be damaged and could lead to premature fatigue of the sidewall.

The CORRECT methods are shown in Figure 1. Please note that the blocks are wider than the tread and longer than the tire's footprint. This provides maximum support to the tires and assures that the load is evenly distributed throughout the tire's footprint area.

FIGURE 1
CORRECT



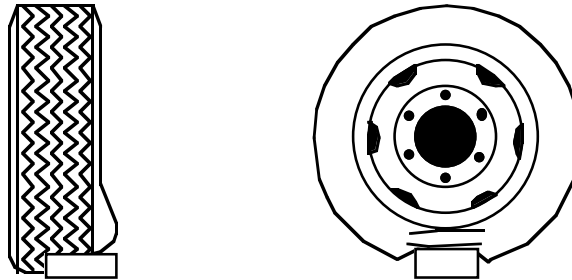


February 29, 2000

FIGURE 2 INCORRECT METHOD

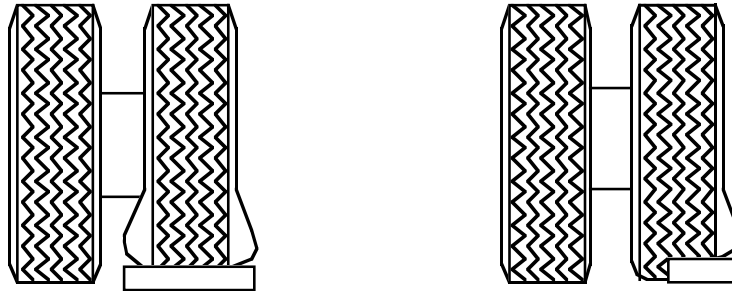
Singles INCORRECT

Only a portion of the tire is supporting the full load.

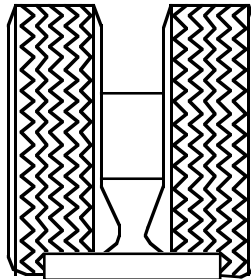


Duals INCORRECT

One tire or a portion of one tire is supporting the full load.



Portion of the two tires supporting the full load.



Tires incorrectly supported, as shown above, may be damaged, which could lead to casing failure resulting in serious injury or property damage. If, on previous occasions, the tires have been incorrectly supported, a hidden damage may be present. Please contact your local Michelin dealer and request an inspection and determination of possible damage.